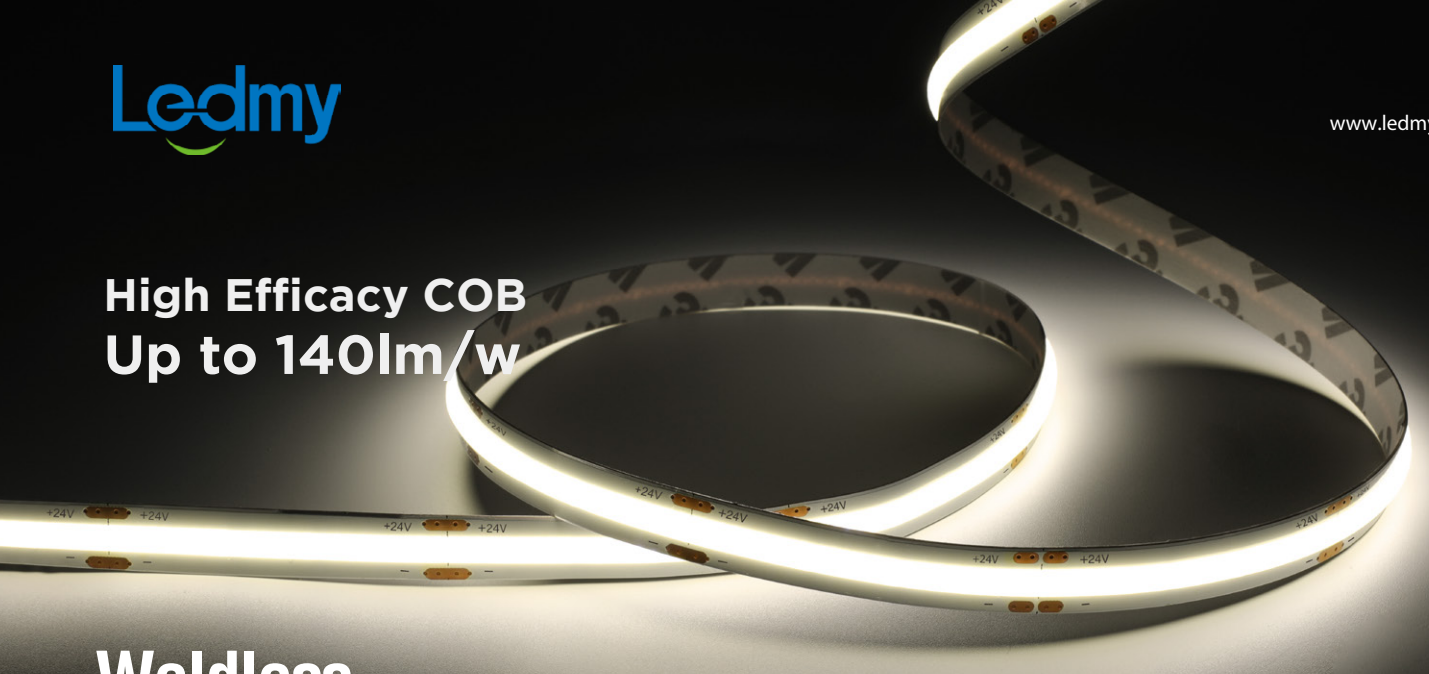


High Efficacy COB Up to 140lm/w



Weldless

IP20 COB Series 12W 24V

Product No. : FE12W-P0-G1 COBH9X 24V480S W10RL05



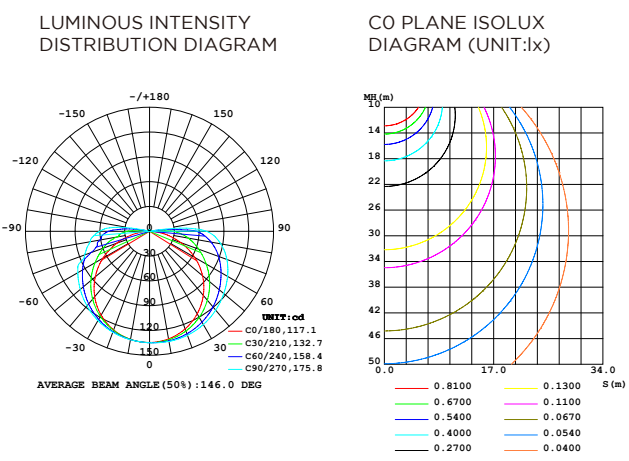
- 3 Years warranty.
- Bigger Chip, Long life span and brighter.
- High Efficacy, RA>90, up to 140lm/w.
- More Stable, No quality risk of lap welding.
- Dots-free, uniform lights, 180° light-emitting,



TECHNICAL DETAILS

Product No.	FE12W-P0-G1 COBH9X 24V480S W10RL05
Power	12W/M 3.65W/ft
Voltage	DC24V
CRI	90
Led Qty	480LEDs/M
Length/Reel	5M
Working Temperature	-20-50°C
Storage Temperature	-30-80°C
Voltage Range	23 ~25V dc
Reverse Voltage	25V dc

Light Distribution

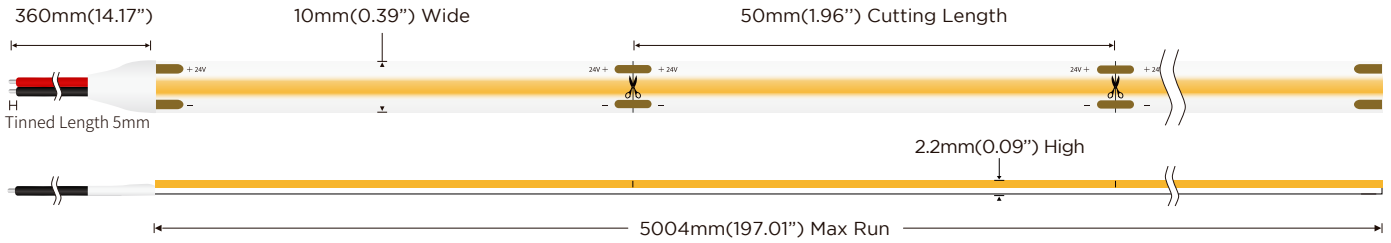


LUMENS PER METER

Color Temperature

● 2700K	1465lm/m	447lm/ft
● 3000K	1560lm/m	476lm/ft
● 4000K	1655lm/m	504lm/ft
● 6500K	1680lm/m	512lm/ft

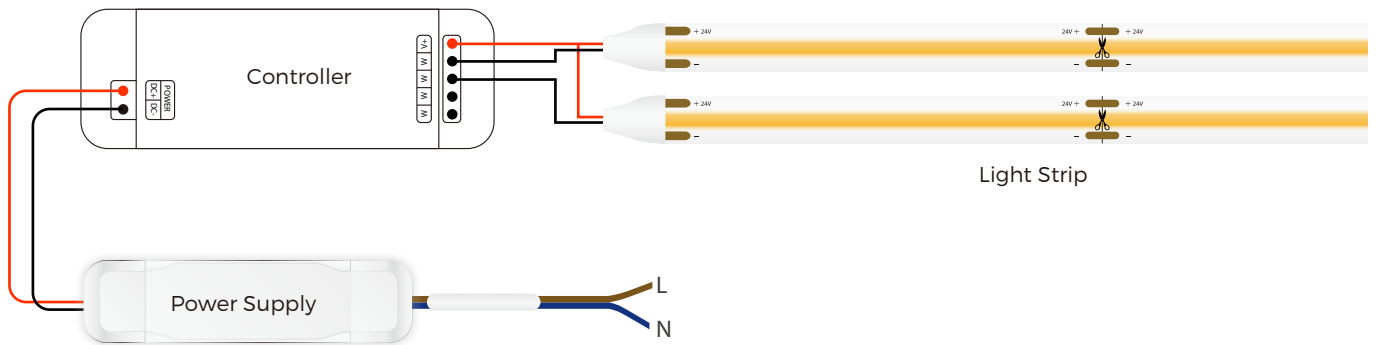
DIMENSION



CONNECTORS

Series	Product			PCB Width	Product NO.
	BB PCB to PCB	XB Cable to PCB	BXB PCB to Cable to PCB		
LD- COB H Series Maximum voltage: 36V Maximum current: 5A				8mm	COB2P-C08BB-G1 COB2P-C08XB-G1 COB2P-C08MBXB-G1
				10mm	COB2P-C10BB-G1 COB2P-C10XB-G1 COB2P-C10MBXB-G1
LD- COB E Series Maximum voltage: 36V Maximum current: 5A				8mm	COB2P-C08BB-G1 COB2P-C08XB-G1 COB2P-C08MBXB-G1
				10mm	COB2P-C10BB-G1 COB2P-C10XB-G1 COB2P-C10MBXB-G1

POWER CONNECTION DIAGRAM



RECOMMENDED POWER SUPPLIES

Item Number	Description	Input Voltage	Output Voltage	Dimmable	Dimensions
DVH30-24-P0-G1 CP PC	Non-waterproof driver 30W	220-240	DC24V 1.25A	NO	160×42×30
DVH60-24-P0-G1 CP PC	Non-waterproof driver 60W	220-240	DC24V 2.5A	NO	187×45×30.5
DVH75-24-P0-G1 CP PC	Non-waterproof driver 75W	220-240	DC24V 3.125A	NO	187×45×30.5
DVH120-24-P0-G1 CP PC	Non-waterproof driver 120W	220-240	DC24V 5.0A	NO	268×45×30.5
DVH150-24-P0-G1 CP PC	Non-waterproof driver 150W	220-240	DC24V 6.25A	NO	268×45×30.5

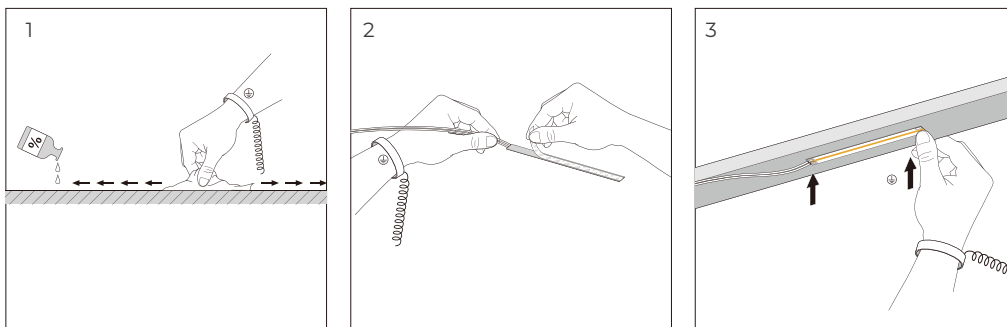
ALUMINUM PROFILE LIST

Cover: PC Transparent / PC Opal

	Section diagram	install	Product NO.	Slot size	PCB Width	Power
			15mm×7mm	-	≤ 10mm	≤ 10W/M
			24mm×15mm	21mm×16mm	≤ 12mm	≤ 18W/M
			17mm×15mm	-	≤ 12mm	≤ 16W/M
			16mm×16mm	-	≤ 10mm	≤ 15W/M
			16mm×16mm	-	≤ 10mm	≤ 15W/M

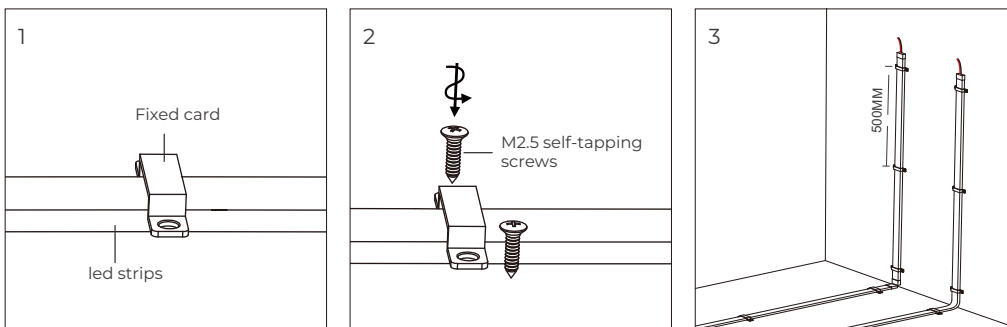
INSTALL

IP20



Clean the environment part to be attached with a cloth, as shown in Figure 1, and then tear off the 3M tape on the back of the light belt, and finally stick the light belt on the clean place.

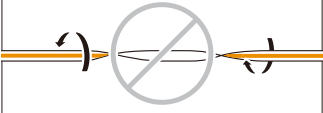


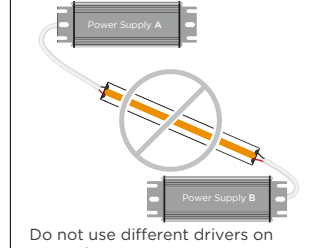
IP65/IP68




Note: If rated power >15W/m, please make sure the installation environment with well-ventilated and good heat dissipation conditions.
Warning: Do not install it in a closed space and forbidden to cover it.

Please refer to the installation manual for details

APPLICAITON NOTE

<p>1</p>  <p>Not allowed to fold, break, twist the led strips.</p>	<p>2</p>  <p>Not allowed to bend the led strips in the horizontal plane.</p>	<p>3</p>  <p>Not allowed to put excessive pressure on the surface of the chips.</p>	<p>4</p>  <p>Do not use different drivers on one strip</p>
---	---	---	---

PACKING

N.W /CTN(KG)	QTY / CTN(reel)	G.W/CTN(KG)	CTN Size(cm)
-		-	